

# CABIN

lights



CABIN  
lights



Working light for precision

Lighting series **JANS/JANK**

Lighting series **JES/JEB**

Lighting series **JFZS/JFZ**

Lighting series **JLZ/JELZ**



JUNG cabin lights are primarily used in paint shops of the automobile industry.

There are two main types of cabin light:

1. Mounted lights, which are fitted to the cabin exterior on customer-supplied glass elements.
2. Flush fitted lights, which are fitted from the inside of the cabin.



## FEATURES

- Versions available up to  zone 2
- Swiveling light insert
- Free of substances that inhibit paint wetting
- Powder-coated sheet steel light
- Available in 3 different installation heights
- Uses fluorescent tubes with two-pin sockets or compact fluorescent tube
- Excellent light yield due to reflector geometry using surface-coated aluminium
- Symmetrical and asymmetrical versions
- All lights conform to relevant standards and are  marked
- Versions with UL / cUL approval

## STANDARD DESIGN

- Casing colour: RAL 9016 – traffic white
- Cable entry: 2 x M 25 screw connections – suitable for a cable diameter of 7–17 mm
- Terminal: L1, L2, L3, N, PE – max. clamping range 2.5 mm<sup>2</sup>
- Aluminium reflectors in surface coated aluminium in symmetrical and asymmetrical versions

## OPTIONS

- Powder coating in all RAL colours
- Polished stainless steel finish
- Connection via diverse plug systems
- Supplied ready to fit with cable attached
- Dimmable ballasts
- Lamp fittings in various colours
- Special voltages / frequencies
- Brackets for securing lights
- Versions with anti-glare grid
- Can be fitted with T 5 tubes

The mounted lights are designed for mounting to wall elements provided by the customer, with a glass sheet. The accessories required for the customer mounting of the light and to close it are not included in the scope of supply of the lights. These accessories should be adapted in design and dimension to the wall system and must be ordered as separate accessories.

## FEATURES

- Available in casing heights of 460, 600 + 850 mm
- Combinable with the lighting series JES../JEB..

## MODEL DIFFERE

- JANK.. lights are opened from top to bottom and held by a chain in their opened condition.
- JANS.. lights are opened from bottom to top and supported by a rail in their opened condition.

## STANDARD FITTINGS

### SYMMETRICAL

- Installation height 460 mm  
2 lamps
- Installation height 600 mm  
2 lamps – 4 lamps
- Installation height 850 mm  
3 lamps – 6 lamps

### ASYMMETRICAL

- Installation height 460 mm  
2 lamps
- Installation height 600 mm  
2 lamps – 4 lamps
- Installation height 850 mm  
3 lamps – 6 lamps

## TECHNICAL DATA

### JANSEV + JANKEV

- Approval – Conformity declaration
- **CE** mark
- Ballast – electronic (EVG)
- Ambient temperature -20° C to +40° C
- Rated voltage / frequency 220-240 V / 0 / 50-60 Hz
- Protection class I
- Temperature class T4
- Protection category IP 20 and correctly fitted IP 54

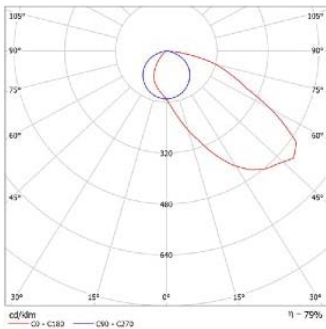
### JANSEV + JANKEV

- Suitable for **Ex** zone 2 and 22
- Approval EC conformity declaration
- Explosion protection
  - **Ex** II3G Ex nA IIC T4 Gc X
  - **Ex** II3D Ex tc IIIC T75°C Dc
- IP 54 where adhering to fitting instructions
- **CE** mark
- Ballast – electronic (EVG)
- Ambient temperature -20° C to +40° C
- Rated voltage / frequency 220-240 V / 0 / 50-60 Hz
- Protection class I
- Temperature class T4

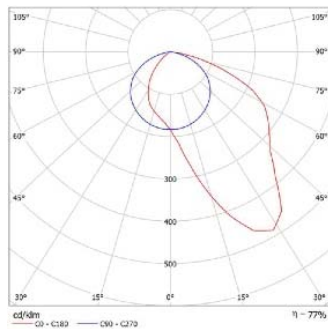




**LIGHT DISTRIBUTION CURVE**



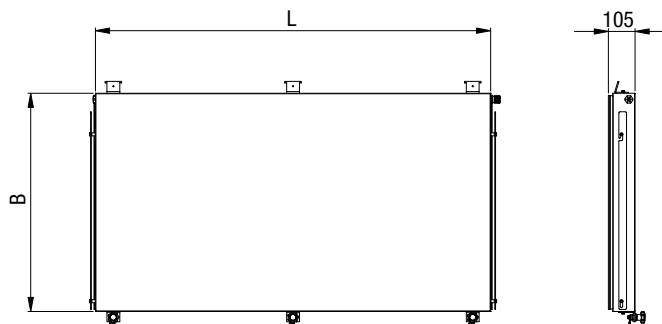
JES./JAN.. 2 lamps  
with asymmetrical aluminium reflector



JEB./JAN.. 3 lamps  
with asymmetrical aluminium reflector

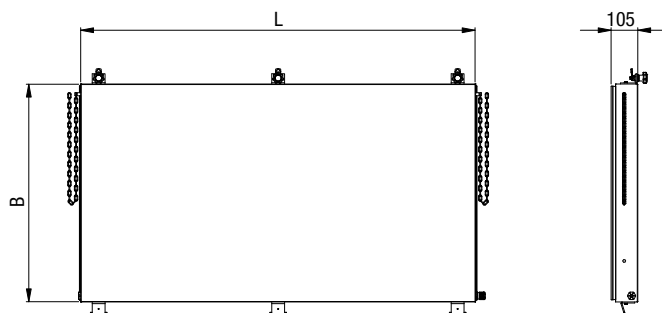
## MOUNTED LIGHTS JANS.. /AB

Designation	L	B	Drawing no.
JANS..-AB...18 W	630	460	52-970-018-00
JANS..-AB...36 W	1240	460	52-970-036-00
JANS..-AB...58 W	1540	460	52-970-058-00
JANS..-AB...18 W	630	600	52-972-018-00
JANS..-AB...36 W	1240	600	52-972-036-00
JANS..-AB...58 W	1540	600	52-972-058-00
JANS..-AB...18 W	630	850	52-974-018-00
JANS..-AB...36 W	1240	850	52-974-036-00
JANS..-AB...58 W	1540	850	52-974-058-00
JANS..-AB...3x18 W TC-L	315	850	52-974-118-00
JANS..-AB...3x36 W TC-L	505	850	52-974-136-00
JANS..-AB...6x36 W TC-L	920	850	52-974-236-00
JANS..-AB...3x55 W TC-L	625	850	52-974-155-00



## MOUNTED LIGHTS JANK.. /AB

Designation	L	B	Drawing no.
JANK..-AB...18 W	630	460	52-971-018-00
JANK..-AB...36 W	1240	460	52-971-036-00
JANK..-AB...58 W	1540	460	52-971-058-00
JANK..-AB...18 W	630	600	52-973-018-00
JANK..-AB...36 W	1240	600	52-973-036-00
JANK..-AB...58 W	1540	600	52-973-058-00
JANK..-AB...18 W	630	850	52-975-018-00
JANK..-AB...36 W	1240	850	52-975-036-00
JANK..-AB...58 W	1540	850	52-975-058-00
JANK..-AB...3x18 W TC-L	315	850	52-975-118-00
JANK..-AB...3x36 W TC-L	505	850	52-975-136-00
JANK..-AB...6x36 W TC-L	920	850	52-975-236-00
JANK..-AB...3x55 W TC-L	625	850	52-975-155-00



JUNG cabin lighting JES.. and JEB.. are steel sheet lighting, used primarily in the automobile industry, aircraft construction and sub-contractors to those industries. The cover of the light emission point consists of a single pane safety glass sheet (SSG). The SSG pane is mounted in a sheet metal frame, mounted on the housing with clips on one side and hinges on the opposite side.





## FEATURES

- Available in casing heights 540, 680 + 930 mm
- Combinable with the mounted lighting JAN..

## MODEL DIFFERENCES

- JESSK, JESK und JEBK.. lights are opened from top to bottom and held by a chain in their opened condition.
- JESSR, JESR und JEBR.. lights are opened from bottom to top and supported by a rail in their opened condition.

## STANDARD FITTINGS

### SYMMETRISCH

- JESS.. Installation height 540 mm – 2 lamps – 3 lamps
- JES.. Installation height 680 mm – 2 lamps – 4 lamps
- JEB.. Installation height 930 mm – 3 lamps – 4 lamps

### ASYMMETRISCH

- JESS.. Installation height 540 mm – 2 lamps – 3 lamps
- JES.. Installation height 680 mm – 2 lamps – 4 lamps
- JEB.. Installation height 930 mm – 3 lamps – 4 lamps

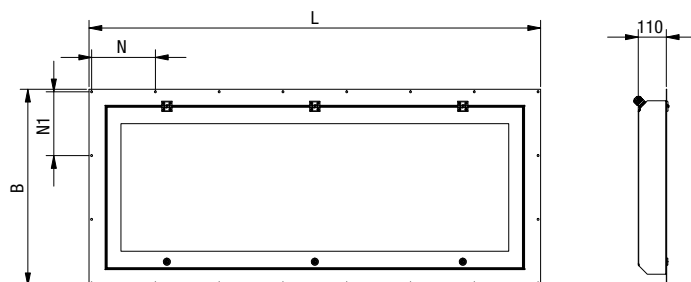
## TECHNICAL DATA

### JESSEV + JESEV + JEBEV

- Suitable for zone 2 and 22
- Approval – Conformity declaration
- Explosion protection
  - II3G Ex nA IIC T4 Gc X
  - II3D Ex tc IIIC T75° Dc IP 54
- CE mark
- Ballast – electronic (EVG)
- Ambient temperature -20° C to +40° C
- Rated voltage / frequency 220-240 V / 0 / 50-60 Hz
- Protection class I
- Temperature T4
- Protection category IP 54

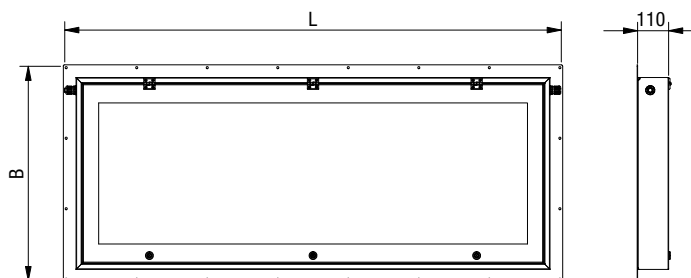
## FLUSH-FITTED LIGHTS JESS., JES., JEB.. /WE

Designation	L	B	Einbauaussparung	Drawing no.
JESS.-WE...18 W	860	630	780 x 550	52-374-018-00
JESS.-WE...36 W	1470	630	1390 x 550	52-374-036-00
JESS.-WE...58 W	1770	630	1690 x 550	52-374-058-00
JES.-WE...18 W	860	770	780 x 690	52-364-018-00
JES.-WE...36 W	1470	770	1390 x 690	52-364-036-00
JES.-WE...58 W	1770	770	1690 x 690	52-364-058-00
JEB.-WE...18 W	860	1020	780 x 940	52-365-018-00
JEB.-WE...36 W	1470	1020	1390 x 940	52-365-036-00
JEB.-WE...58 W	1770	1020	1690 x 940	52-365-058-00



## MOUNTED LIGHTS JESS., JES., JEB.. /AB

Designation	L	B	Drawing no.
JESS.-AB...18 W	860	630	52-376-018-00
JESS.-AB...36 W	1470	630	52-376-036-00
JESS.-AB...58 W	1770	630	52-376-058-00
JES.-AB...18 W	860	770	52-369-018-00
JES.-AB...36 W	1470	770	52-369-036-00
JES.-AB...58 W	1770	770	52-369-058-00
JEB.-AB...18 W	860	1020	52-368-018-00
JEB.-AB...36 W	1470	1020	52-368-036-00
JEB.-AB...58 W	1770	1020	52-368-058-00



The JUNG lighting series JFZS and JFZ are sheet steel lights of protection category IP64, the versatile securing options of which make them especially well-suited for mounting in blasting and painting cabins. The light outlet is covered with a piece of single-pane safety glass, which can be taken out by loosening the contoured tracks.

As appropriate to the area of use concerned, the approved terminal points are mounted inside the housing, which is accessible once the light module has been taken out. The terminal points can then be attached to the connecting cable via the cable inlet guide.

These lights have a very shallow construction, which enables them to be fitted in the cabin dividing walls. Their capacity for use in areas up to zone 2 and 22 and their robust design make these lights suitable for use in countless different ways.



## FEATURES

- Versions available up to zone 2 and 22
- Free of substances that inhibit paint wetting
- Powder-coated sheet steel light
- Available in different installation widths
- Uses fluorescent tubes with two-pin sockets
- All lights confirm to relevant standards and are **CE** marked

## STANDARD DESIGN

- Casing colour: RAL 9016 – traffic white
- Reflector: RAL 9016 – traffic white
- Cable entry: 2 x M 25 screw connections – suitable for a cable diameter of 7 – 17 mm
- Terminal: L1, L2, L3, N, PE – max. clamping range 2,5 mm<sup>2</sup>
- Glass: 6 mm single-pane safety glass

## OPTIONS

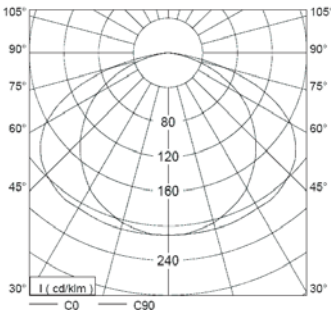
- Powder coating in all RAL colours
- Polished stainless steel finish
- Connection via diverse plug systems
- Supplied ready to fit with cable attached
- Dimmable ballasts
- Lamp fittings in various colours
- Special voltages / frequencies
- Brackets for securing lights
- Aluminium reflectors in surface coated aluminium in symmetrical and asymmetrical versions
- Versions with T 5 tubes (diameter 16 mm)
- Emergency lighting version
- Glass stickered, printed or etched
- Additional replaceable polycarbonate pane to protect the glass pane

## TECHNICAL DATA

### JFZSEV + JFZEV

- Suitable for zone 2 and 22 and industrial lighting
- Approval EC conformity declaration
- Explosion protection II3G Ex nA IIC T4 Gc II3D Ex tc IIIC T60° C Dc
- **CE** mark
- Ballast – electronic (EVG)
- Ambient temperature -20° C to +40° C
- Rated voltage / frequency 220-240 V / 0 / 50-60 Hz
- Protection class I
- Temperature class T4
- Protection category IP 64

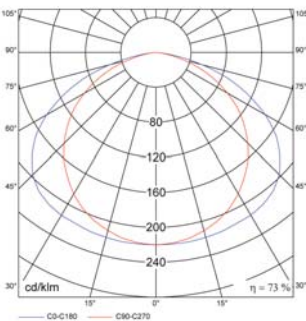
## LIGHT DISTRIBUTION CURVE



JFZS.. 1 lamp  
No aluminium reflector

Possible tube fittings in symmetrical configuration:

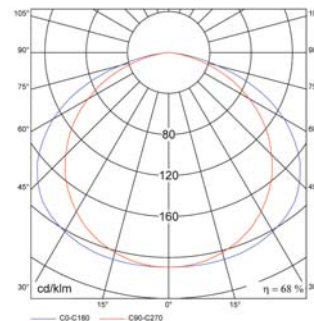
- JFZS.. 1 and 2 lamps
- JFZ.. 3 and 4 lamps



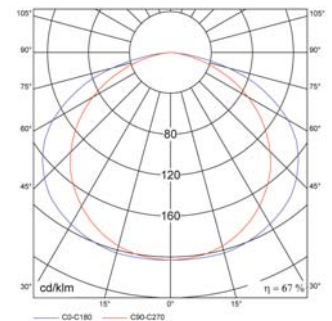
JFZS.. 2 lamps  
No aluminium reflector

Possible tube fittings in symmetrical configuration with aluminium reflector:

- JFZS.. 1 lamp
- JFZ.. 2 and 3 lamps



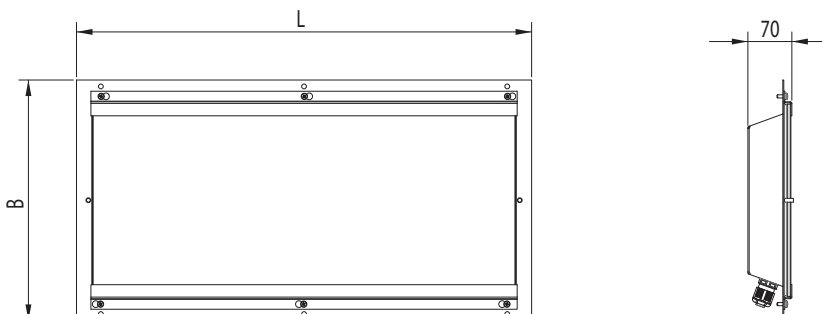
JFZS.. 3 lamps  
No aluminium reflector



JFZS.. 4 lamps  
No aluminium reflector

## FLUSH-FITTED LIGHTS (WE)

The mounting frame with the fixing holes is welded to the light casing and can be flush-mounted with the fitting apertures in the wall and ceiling elements made by the customer.

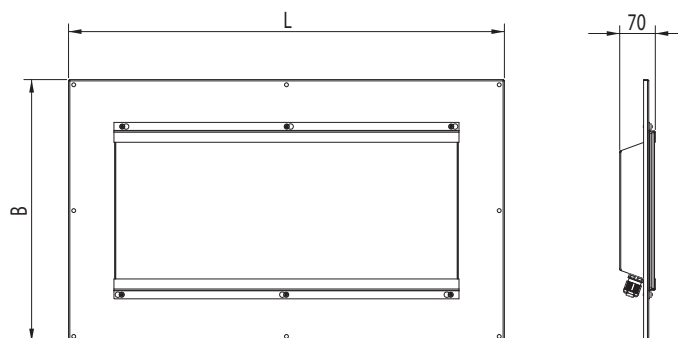


Designation	L	B	Fitted recess	Drawing no.
JFZS..-WE...18 W	710	375	650 x 335	42-121-018-00
JFZS..-WE...36 W	1320	375	1260 x 335	42-121-036-00
JFZS..-WE...58 W	1620	375	1560 x 335	42-121-058-00
JFZ..-WE...18 W	710	460	650 x 420	42-111-018-00
JFZ..-WE...36 W	1320	460	1260 x 420	42-111-036-00
JFZ..-WE...58 W	1620	460	1560 x 420	42-111-058-00

Further technical details on request

## WALL FITTED LIGHTS (ME)

The large mounting frame with the fixing holes is welded to the light casing and is circumvented by edging, enabling it to be mounted in wall niches.



Designation	L	B	Wall niche	Drawing no.
JFZS..-ME...18 W	840	505	740 x 400 x 60	42-121-018-01
JFZS..-ME...36 W	1450	505	1350 x 400 x 60	42-121-036-02
JFZS..-ME...58 W	1750	505	1650 x 400 x 60	42-121-058-02
JFZ..-ME...18 W	840	590	740 x 490 x 60	42-111-018-03
JFZ..-ME...36 W	1450	590	1350 x 490 x 60	42-111-036-02
JFZ..-ME...58 W	1750	590	1650 x 490 x 60	42-111-058-01

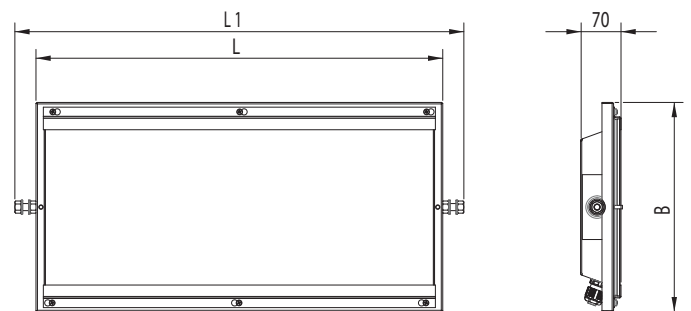
Further technical details on request



## SWIVEL LIGHTS (SW)

The frontal stud bolts enable the lights to be mounted horizontally or vertically in the brackets. The light is infinitely adjustable.

Order accessories separately



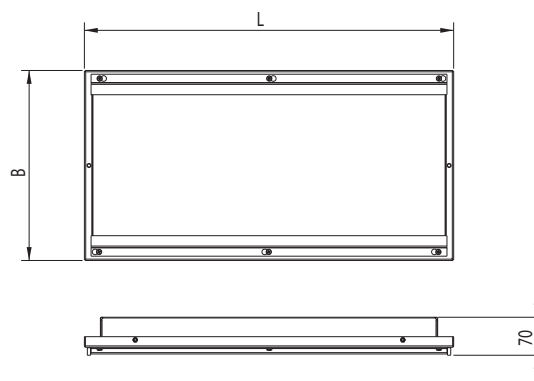
Designation	L1	L	B	Drawing no.
JFZS..-SW...18 W	760	690	355	42-124-018-00
JFZS..-SW...36 W	1370	1300	355	42-124-036-00
JFZS..-SW...58 W	1670	1600	355	42-124-058-00
JFZ..-SW...18 W	760	690	440	42-114-018-00
JFZ..-SW...36 W	1370	1300	440	42-114-036-00
JFZ..-SW...58 W	1670	1600	440	42-114-058-00

Further technical details on request

## HANGING LIGHTS (HE)

The fixing holes on the longitudinal side of the light enables it to be hung from the ceiling. Chains, carabiners or other securing materials are not included with the lights.

Order accessories separately



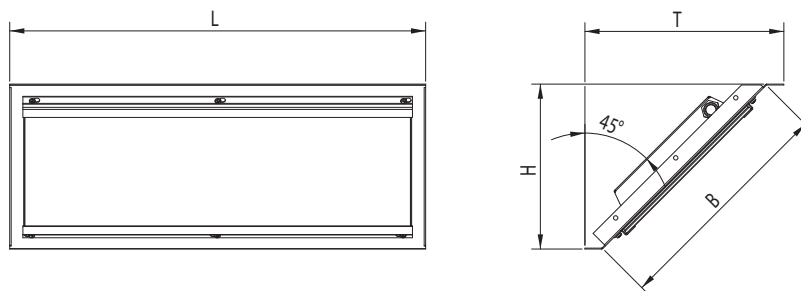
Designation	L	B	Drawing no.
JFZS..-HE...18 W	690	355	42-122-018-00
JFZS..-HE...36 W	1300	355	42-122-036-00
JFZS..-HE...58 W	1600	355	42-122-058-00
JFZ..-HE...18 W	690	440	42-112-018-00
JFZ..-HE...36 W	1300	440	42-112-036-00
JFZ..-HE...58 W	1600	440	42-112-058-00

Further technical details on request

## ANGLED FITTED LIGHTS, HORIZONTAL (SRW)

These lights are designed for corner assembly, between ceiling and wall. A support bracket is bolted to the wall to facilitate mounting. Angled covers to compensate the length of the room are available in both fixed and adjustable versions.

Order accessories separately



Designation	L	B	T	H	Drawing no.
JFZS..-SRW...18 W	710	395	340	280	42-126-018-00
JFZS..-SRW...36 W	1320	395	340	280	42-126-036-00
JFZS..-SRW...58 W	1620	395	340	280	42-126-058-00
JFZ..-SRW...18 W	710	480	400	340	42-116-018-00
JFZ..-SRW...36 W	1320	480	400	340	42-116-036-00
JFZ..-SRW...58 W	1620	480	400	340	42-116-058-00

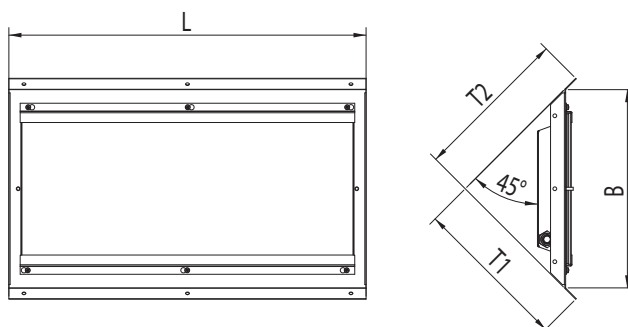
Further technical details on request



### ANGLED FITTED LIGHTS, VERTICAL (SRS)

These lights are designed for vertical corner assembly. Angled covers are available as an option.

Order accessories separately

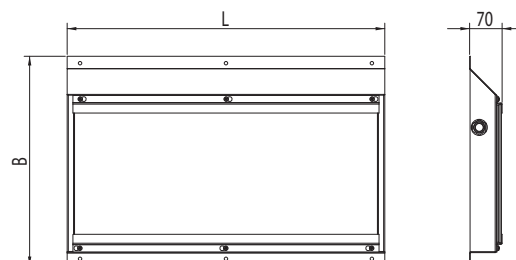


Designation	L	B	T1	T2	Drawing no.
JFZS..-SRS...18 W	710	395	310	310	42-126-018-50
JFZS..-SRS...36 W	1320	395	310	310	42-126-036-50
JFZS..-SRS...58 W	1620	395	310	310	42-126-058-50
JFZ..-SRS...18 W	710	480	370	370	42-116-018-50
JFZ..-SRS...36 W	1320	480	370	370	42-116-036-50
JFZ..-SRS...58 W	1620	480	370	370	42-116-058-50

Further technical details on request

### WALLFITTED LIGHT, HORIZONTAL (WAW)

These lights are designed for horizontal wall mounting. The wall mounting unit welded to the casing with its fixing holes, angled on top with 45°, means that dust deposits are kept to a minimum.

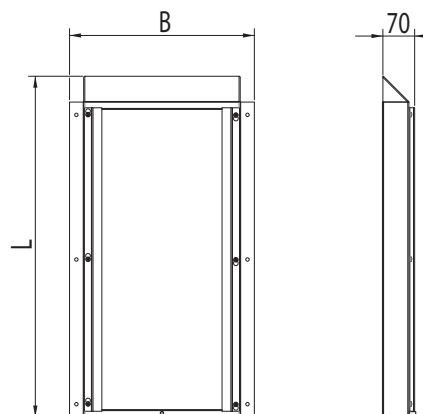


Designation	L	B	Drawing no.
JFZS..-WAW...18 W	690	455	42-128-018-00
JFZS..-WAW...36 W	1300	455	42-128-036-00
JFZS..-WAW...58 W	1600	455	42-128-058-00
JFZ..-WAW...18 W	690	540	42-118-018-00
JFZ..-WAW...36 W	1300	540	42-118-036-00
JFZ..-WAW...58 W	1600	540	42-118-058-00

Further technical details on request

## WALLFITTED LIGHT, VERTICAL (WAS)

These lights are designed for vertical wall mounting. The wall mounting unit welded to the casing with its fixing holes, angled on top with 45°, means that dust deposits are kept to a minimum.

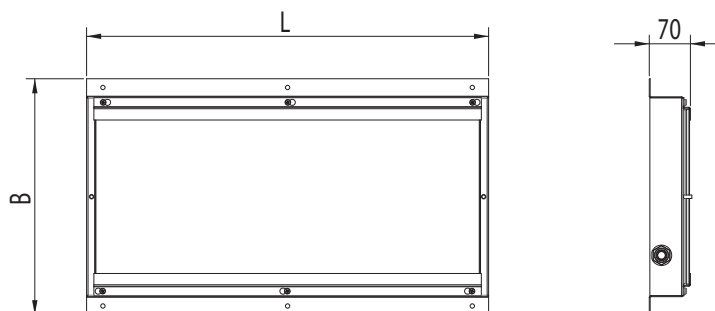


Designation	L	B	Drawing no.
JFZS..-WAS...18 W	750	405	42-129-018-00
JFZS..-WAS...36 W	1360	405	42-129-036-00
JFZS..-WAS...58 W	1660	405	42-129-058-00
JFZ..-WAS...18 W	750	490	42-119-018-00
JFZ..-WAS...36 W	1360	490	42-119-036-00
JFZ..-WAS...58 W	1660	490	42-119-058-00

Further technical details on request

## CEILING FITTED LIGHTS (AB)

The light is designed as a ceiling fitted light. The wall mounting unit welded to the casing edged on all 4 sides to 90° means that the light can be mounted on the ceiling via fixing holes.



Designation	L	B	Drawing no.
JFZS..-AB...18 W	690	405	42-125-018-00
JFZS..-AB...36 W	1300	405	42-125-036-00
JFZS..-AB...58 W	1600	405	42-125-058-00
JFZ..-AB...18 W	690	490	42-115-018-02
JFZ..-AB...36 W	1300	490	42-115-036-02
JFZ..-AB...58 W	1600	490	42-115-058-02

Further technical details on request



The JUNG lighting series JLZ and JELZ are sheet steel lights of protection category IP64, the versatile securing options of which make them especially well-suited for mounting in blasting and painting cabins. The light outlet is covered with a piece of single-pane safety glass, which can be taken out by loosening the contoured tracks.

As appropriate to the area of use concerned, the approved terminal points are mounted inside the housing, which is accessible once the light module has been taken out. The terminal points can then be attached to the connecting cable via the cable inlet guide.

This lighting type, with its sturdy design and large light cross section, is particularly suitable for applications in areas where emphasis is placed upon robustness and insensitivity to thermal stress, and where the requirements of  $\text{Ex}$  protection up to zone 2 and 22 are needed.

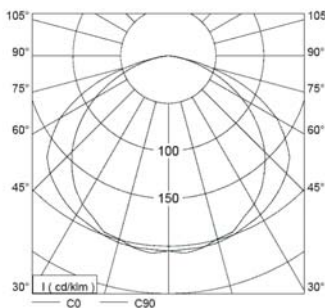


## TECHNICAL DATA

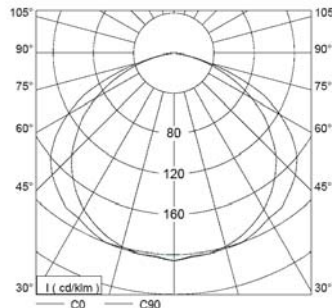
### JLZ/JELZ EV

- Suitable for
  - ⊕ zone 2 and 22 and industrial lighting
- Approval – Conformity declaration
- Explosion protection
  - ⊕ II3G Ex nA IIC T4 Gc X
  - ⊕ II3D Ex tc IIIC T75° C Dc
- **CE** mark
- Ballast – electronic (EVG)
- Ambient temperature -20° C bis +40° C
- Rated voltage / frequency 220-240 V / 50-60 Hz
- Protection class I
- Temperature class T4
- Protection category IP 64

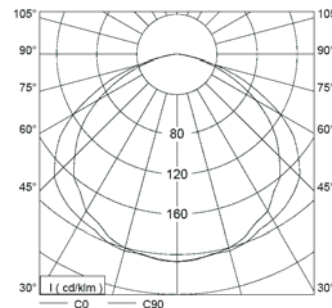
## LIGHT DISTRIBUTION CURVE



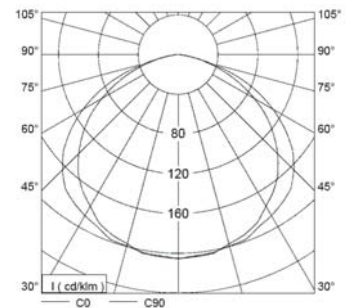
JLZ.. 2 lamps,  
no aluminium reflector



JLZ.. 3 lamps,  
no aluminium reflector



JELZ.. 3 lamps,  
no aluminium reflector



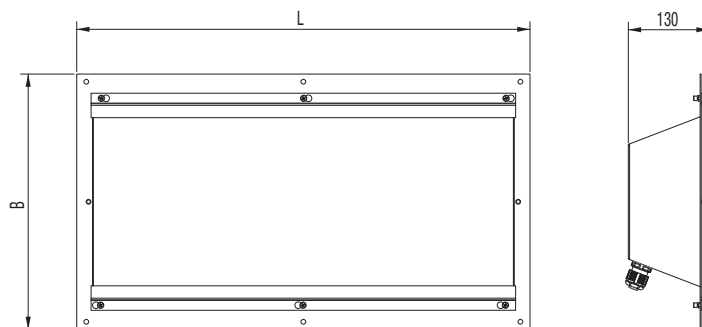
JELZ.. 4 lamps,  
no aluminium reflector

Possible tube fittings in symmetrical configuration:

- JLZ.. 2 and 3 lamps
- JELZ.. 3 and 4 lamps

## FLUSH-FITTED LIGHTS (WE)

The mounting frame with the fixing holes is welded to the light casing and can be flush-mounted with the fitting apertures in the wall and ceiling elements made by the customer.

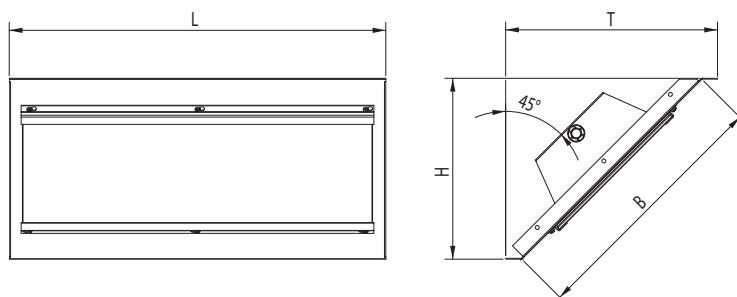


Designation	L	B	Fitted recess	Drawing no.
JLZ..-WE...18 W	710	400	670 x 350	32-111-018-00
JLZ..-WE...36 W	1320	400	1270 x 350	32-111-036-00
JLZ..-WE...58 W	1620	400	1570 x 350	32-111-058-00
JELZ..-WE...18 W	710	470	670 x 410	32-121-018-00
JELZ..-WE...36 W	1320	470	1270 x 410	32-121-036-00
JELZ..-WE...58 W	1620	470	1570 x 410	32-121-058-00

Further technical details on request

## ANGLE FITTED LIGHTS (SRW)

These lights are designed for corner assembly, between ceiling and wall. A support bracket is bolted to the wall to facilitate mounting. Angled covers to compensate the length of the room are available in both fixed and adjustable versions.



Order accessories separately

Designation	L	B	T	H	Drawing no.
JLZ..-SRW...18 W	710	480	400	340	32-116-018-00
JLZ..-SRW...36 W	1320	480	400	340	32-116-036-00
JLZ..-SRW...58 W	1620	480	400	340	32-116-058-00
JELZ..-SRW...18 W	710	480	400	340	32-126-018-00
JELZ..-SRW...36 W	1320	480	400	340	32-126-036-00
JELZ..-SRW...58 W	1620	480	400	340	32-126-058-00

Further technical details on request