

CABIN

lights



Working light for precision

LED

Lighting series **JANS/JANK**

Lighting series **JES/JEB**

Lighting series **JFZS/JFZ**

Lighting series **JLZ/JELZ**

JUNG cabin luminaires are primarily used in paint shops of the automobile industry.

There are two main types of cabin light:

1. Mounted lights, which are fitted to the cabin exterior on customer-supplied glass elements.
2. Flush fitted lights, which are fitted from the inside of the cabin.



FEATURES

- Versions available up to zone 1 and 21
- Powder-coated sheet steel light
- Swiveling light insert
- Free of substances that inhibit paint wetting
- Available in 3 different installation heights
- High-quality LED modules
- Symmetrical and asymmetrical versions
- All lights confirm to relevant standards and are **CE** marked

STANDARD DESIGN

- Casing colour: RAL 9016 – traffic white
- Cable entry: 2 x M 25 screw connections – suitable for a cable diameter of 7–17 mm
- Terminal: L1, L2, L3, N, PE – max. clamping range 2.5 mm²
- Symmetrical reflectors: sheet steel, powder-coated matt white
- Asymmetrical reflectors: surface coated aluminium

OPTIONS

- Powder coating in all RAL colours
- Polished stainless steel finish
- Connection with diverse plug systems
- Supplied ready to fit with cable attached
- Dimmable version
- Various light temperatures
- Special voltages / frequencies
- Brackets for securing lights
- Versions with anti-glare grid

The mounted luminaires are designed for mounting to wall elements provided by the customer, with a glass sheet. The accessories required for the customer mounting of the light and

to close it are not included in the scope of supply of the lights. These accessories should be adapted in design and dimension to the wall system and must be ordered as separate accessories.

FEATURES

- Available in casing heights of 460, 600 + 850 mm
- Combinable with the lighting series JES../JEB..

MODEL DIFFERENCES

- JANK.. lights are opened from top to bottom and held by a chain in their opened condition.
- JANS.. lights are opened from bottom to top and supported by a rail in their opened condition.

STANDARD FITTINGS

SYMMETRICAL

- Installation height 460 mm 2 strings
- Installation height 600 mm 2 strings – 4 strings
- Installation height 850 mm 3 strings – 6 strings

ASYMMETRICAL

- Installation height 460 mm 2 strings
- Installation height 600 mm 2 strings – 4 strings
- Installation height 850 mm 3 strings – 6 strings

TECHNICAL DATA

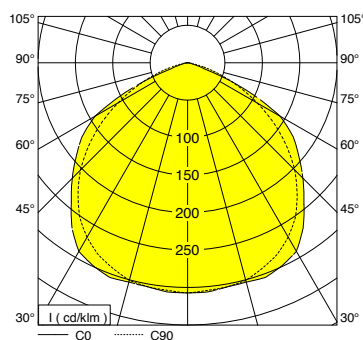
JANSLED + JANKLED

- Approval – Conformity declaration
- CE mark
- LED-Driver
- Ambient temperature -20° C to + 50° C
- Rated voltage / frequency 220-240 V / 50-60 Hz
- Protection class I
- Temperature class T4
- Protection category IP 20 and correctly fitted IP 54

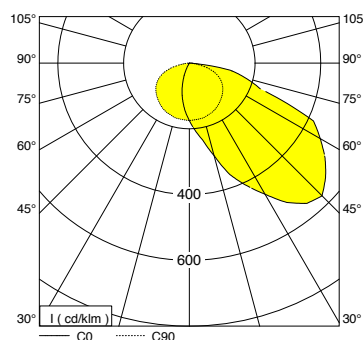
JANSLED + JANKLED

- Suitable for Ex zone 2 and 22
- Approval EC conformity declaration
- Explosion protection
 - Ex II3G Ex ec IIC T4 Gc
 - Ex II3D Ex tc IIIC T68°C Dc
- IP 54 where adhering to fitting instructions
- CE mark
- LED-Driver
- Ambient temperature -20° C to + 50° C
- Rated voltage / frequency 220-240 V / 50-60 Hz
- Protection class I
- Temperature class T4

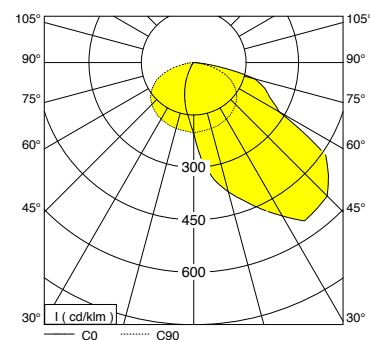
LIGHT DISTRIBUTION CURVES



JANLED 2-LED strings symmetrical



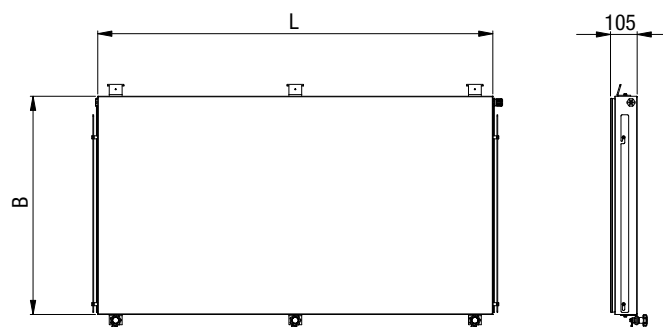
JANLED 3-LED strings asymmetrical



JANLED 4-LED strings asymmetrical

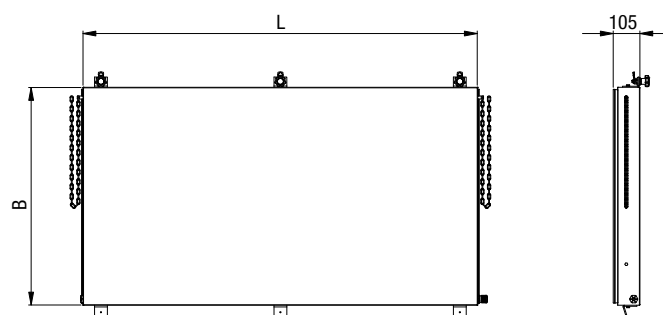
MOUNTED LIGHTS JANS.. /AB

Designation	L	B	Drawing no.
JANS..-AB...630	630	460	52-970-018-00
JANS..-AB...1240	1240	460	52-970-036-00
JANS..-AB...1540	1540	460	52-970-058-00
JANS..-AB...630	630	600	52-972-018-00
JANS..-AB...1240	1240	600	52-972-036-00
JANS..-AB...1540	1540	600	52-972-058-00
JANS..-AB...630	630	850	52-974-018-00
JANS..-AB...1240	1240	850	52-974-036-00
JANS..-AB...1540	1540	850	52-974-058-00



MOUNTED LIGHTS JANK.. /AB

Designation	L	B	Drawing no.
JANK..-AB...630	630	460	52-971-018-00
JANK..-AB...1240	1240	460	52-971-036-00
JANK..-AB...1540	1540	460	52-971-058-00
JANK..-AB...630	630	600	52-973-018-00
JANK..-AB...1240	1240	600	52-973-036-00
JANK..-AB...1540	1540	600	52-973-058-00
JANK..-AB...630	630	850	52-975-018-00
JANK..-AB...1240	1240	850	52-975-036-00
JANK..-AB...1540	1540	850	52-975-058-00



JUNG cabin luminaires JES.. and JEB.. are steel sheet luminaires, used primarily in the automobile industry, aircraft construction and sub-contractors to those industries. The cover of the light emission point consists of a single pane safety glass sheet (SSG). The SSG pane is mounted in a sheet metal frame, mounted on the housing with clips on one side and hinges on the opposite side.



FEATURES

- Available in casing heights 540, 680 and 930 mm
- Combinable with the mounted lighting JAN..

MODEL DIFFERENCES

- JESSK, JESK und JEBK.. lights are opened from top to bottom and held by a chain in their opened condition.
- JESSR, JESR und JEBR.. lights are opened from bottom to top and supported by a rail in their opened condition.

STANDARD FITTINGS

SYMMETRIC




- JESS.. Installation height 540 mm – 2 strings – 3 strings
- JES.. Installation height 680 mm – 2 strings – 4 strings
- JEB.. Installation height 930 mm – 3 strings – 4 strings

ASYMMETRIC

- JESS.. Installation height 540 mm – 2 strings – 3 strings
- JES.. Installation height 680 mm – 2 strings – 4 strings
- JEB.. Installation height 930 mm – 3 strings – 4 strings

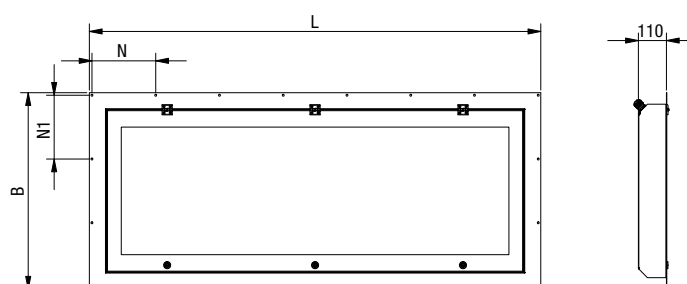
TECHNICAL DATA

JESSLED + JESLED + JEBLED

- Suitable for  zone 2 and 22
- Approval – Conformity declaration
- Explosion protection
 -  II 3G Ex ec IIC T4 Gc
 -  II 3G Ex tc IIIC T68° Dc
- CE mark
- LED-Driver
- Ambient temperature -20° C to + 50° C
- Rated voltage / frequency 220-240 V / 50-60 Hz
- Protection class I
- Temperature T4
- Protection category IP 54

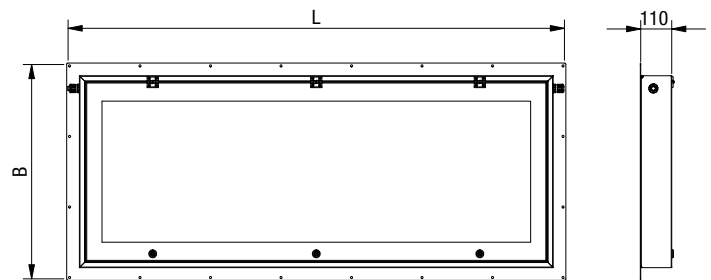
FLUSH-FITTED LIGHTS JESS.., JES.., JEB.. /WE

Designation	L	B	Wall niche	Drawing no.
JESS..-WE...770	860	630	780 x 550	52-374-018-00
JESS..-WE...1380	1470	630	1390 x 550	52-374-036-00
JESS..-WE...1680	1770	630	1690 x 550	52-374-058-00
JES..-WE...770	860	770	780 x 690	52-364-018-00
JES..-WE...1380	1470	770	1390 x 690	52-364-036-00
JES..-WE...1680	1770	770	1690 x 690	52-364-058-00
JEB..-WE...770	860	1020	780 x 940	52-365-018-00
JEB..-WE...1380	1470	1020	1390 x 940	52-365-036-00
JEB..-WE...1680	1770	1020	1690 x 940	52-365-058-00



MOUNTED LIGHTS JESS., JES., JEB.. /AB

Designation	L	B	Drawing no.
JESS.-AB...770	860	630	52-376-018-00
JESS.-AB...1380	1470	630	52-376-036-00
JESS.-AB...1680	1770	630	52-376-058-00
JES.-AB...770	860	770	52-369-018-00
JES.-AB...1380	1470	770	52-369-036-00
JES.-AB...1680	1770	770	52-369-058-00
JEB.-AB...770	860	1020	52-368-018-00
JEB.-AB...1380	1470	1020	52-368-036-00
JEB.-AB...1680	1770	1020	52-368-058-00





JFZS/JFZ

The JUNG lighting series JFZS and JFZ are sheet steel luminaires of protection category IP64, the versatile securing options of which make them especially well-suited for mounting in blasting and painting cabins. The light outlet is covered with a piece of single-pane safety glass, which can be taken out by loosening the contoured tracks.

As appropriate to the area of use concerned, the approved terminal points are mounted inside the housing, which is accessible once the light module has been taken out. The terminal points can then be attached to the connecting cable via the cable inlet guide.





These lights have a very shallow construction, which enables them to be fitted in the cabin dividing walls. Their capacity for use in areas up to zone 1 and 21 and their robust design make these lights suitable for use in countless different ways.



FEATURES	STANDARD DESIGN	OPTIONS	
<ul style="list-style-type: none"> ■ Versions available up to  zone 2 and 22 ■ Free of substances that inhibit paint wetting ■ Powder-coated sheet steel light ■ Available in different installation widths ■ High-quality LED modules ■ All lights confirm to relevant standards and are  marked 	<ul style="list-style-type: none"> ■ Casing colour: RAL 9016 – traffic white ■ Reflector: RAL 9016 – traffic white ■ Cable entry: 2 x M 25 screw connections – suitable for a cable diameter of 7 – 17 mm ■ Terminal: L1, L2, L3, N, PE – max. clamping range 2,5 mm² ■ Glass: 6 mm single-pane safety glass 	<ul style="list-style-type: none"> ■ Powder coating in all RAL colours ■ Polished stainless steel finish ■ Connection via diverse plug systems ■ Supplied ready to fit with cable attached ■ LED-Driver ■ Various in different light colours ■ Special voltages / frequencies 	<ul style="list-style-type: none"> ■ Brackets for securing lights ■ Asymmetrical reflectors: surface coated aluminium ■ Emergency lighting version ■ Glass stickered, printed or etched ■ Additional replaceable polycarbonate pane to protect the glass pane





TECHNICAL DATA

JFZ1LED

- Suitable for  zone 1 and 21
- Approval EU specimen certification of inspection
- Explosion protection  II2G Ex eb mb op is qb IIC T4 Gb
-  II2D Ex op is tb IIIC T70° C Db
-  mark

- LED-Driver
- Ambient temperature -20° C to + 40° C
- Rated voltage / frequency 220-240 V / 50-60 Hz
- Protection class I
- Temperature class T4
- Protection category IP 64

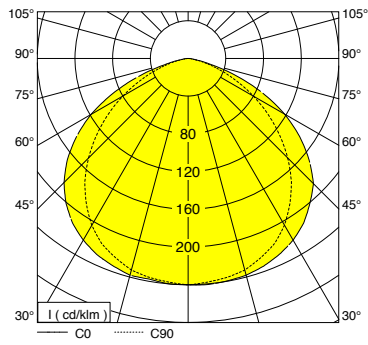
JFZSLED + JFZLED

- Suitable for  zone 2 and 22 and industrial lighting
- Approval Conformity declaration
- Explosion protection  II3G Ex nA IIC T4 Gc
-  II3D Ex tc IIIC T74° C Dc IP 64
-  mark

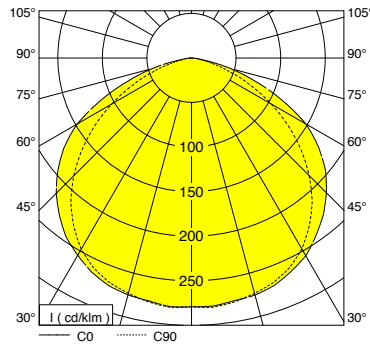
- LED-Driver
- Ambient temperature -20° C to + 50° C
- Rated voltage / frequency 220-240 V / 50-60 Hz
- Protection class I
- Temperature class T4
- Protection category IP 64

Specifications subject to change

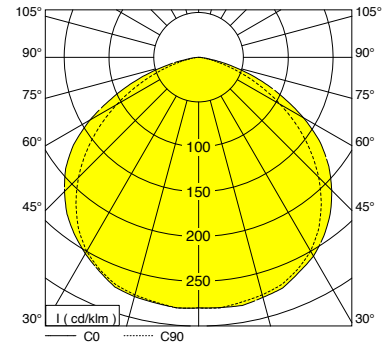
LIGHT DISTRIBUTION CURVES



JFZLED 2-LED strings



JFZLED 3-LED strings



JFZLED 4-LED strings

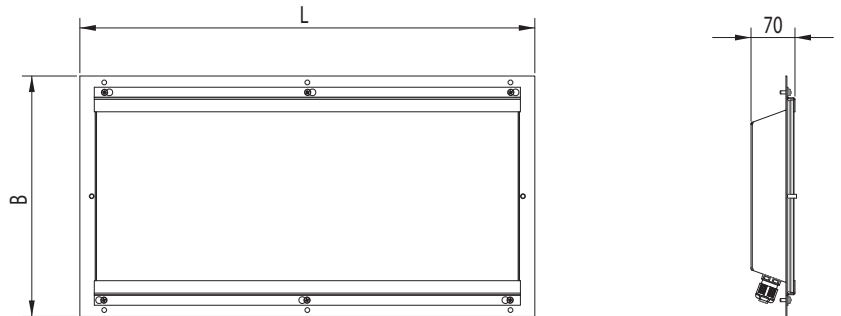
Possible tube fittings in symmetrical configuration:

- JFZS.. 1 and 2 strings
- JFZ.. 3 and 4 strings

JFZS/JFZ

FLUSH-FITTED LIGHTS (WE)

The mounting frame with the fixing holes is welded to the light casing and can be flush-mounted with the fitting apertures in the wall and ceiling elements made by the customer.

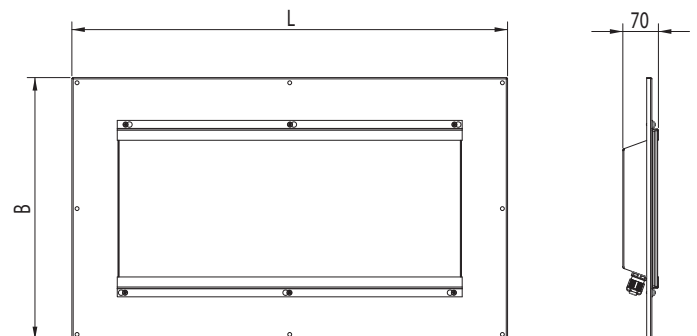


Designation	L	B	Fitted recess	Drawing no.
JFZS..-WE...630	710	375	650 x 335	42-121-018-00
JFZS..-WE...1240	1320	375	1260 x 335	42-121-036-00
JFZS..-WE...1540	1620	375	1560 x 335	42-121-058-00
JFZ..-WE...630	710	460	650 x 420	42-111-018-00
JFZ..-WE...1240	1320	460	1260 x 420	42-111-036-00
JFZ..-WE...1540	1620	460	1560 x 420	42-111-058-00

Further technical details on request

WALL FITTED LIGHTS (ME)

The large mounting frame with the fixing holes is welded to the light casing and is circumvented by edging, enabling it to be mounted in wall niches.



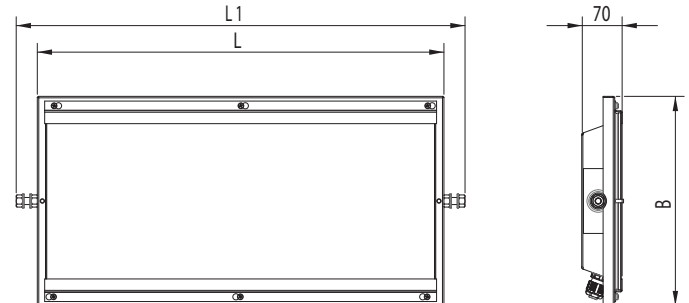
Designation	L	B	Wall niche	Drawing no.
JFZS..-ME...630	840	505	740 x 400 x 60	42-121-018-01
JFZS..-ME...1240	1450	505	1350 x 400 x 60	42-121-036-02
JFZS..-ME...1540	1750	505	1650 x 400 x 60	42-121-058-02
JFZ..-ME...630	840	590	740 x 490 x 60	42-111-018-03
JFZ..-ME...1240	1450	590	1350 x 490 x 60	42-111-036-02
JFZ..-ME...1540	1750	590	1650 x 490 x 60	42-111-058-01

Further technical details on request

SWIVEL LIGHTS (SW)

The frontal stud bolts enable the lights to be mounted horizontally or vertically in the brackets. The light is infinitely adjustable.

Order accessories separately



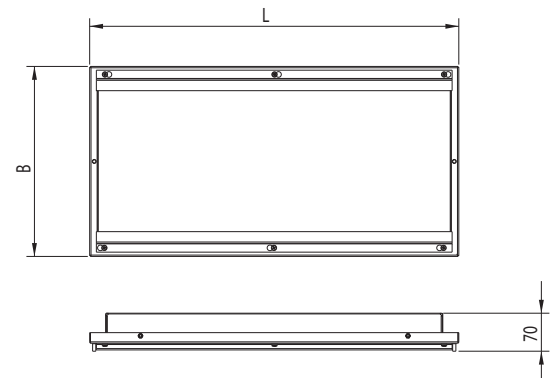
Designation	L1	L	B	Drawing no.
JFZS..-SW...630	760	690	355	42-124-018-00
JFZS..-SW...1240	1370	1300	355	42-124-036-00
JFZS..-SW...1540	1670	1600	355	42-124-058-00
JFZ..-SW...630	760	690	440	42-114-018-00
JFZ..-SW...1240	1370	1300	440	42-114-036-00
JFZ..-SW...1540	1670	1600	440	42-114-058-00

Further technical details on request

HANGING LIGHTS (HE)

The fixing holes on the longitudinal side of the light enables it to be hung from the ceiling. Chains, carabiners or other securing materials are not included with the lights.

Order accessories separately



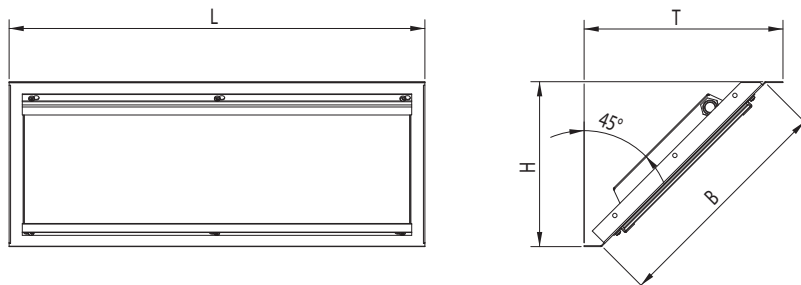
Designation	L	B	Drawing no.
JFZS..-HE...630	690	355	42-122-018-00
JFZS..-HE...1240	1300	355	42-122-036-00
JFZS..-HE...1540	1600	355	42-122-058-00
JFZ..-HE...630	690	440	42-112-018-00
JFZ..-HE...1240	1300	440	42-112-036-00
JFZ..-HE...1540	1600	440	42-112-058-00

Further technical details on request

ANGLED FITTED LIGHTS, HORIZONTAL (SRW)

These lights are designed for corner assembly, between ceiling and wall. A support bracket is bolted to the wall to facilitate mounting. Angled covers to compensate the length of the room are available in both fixed and adjustable versions.

Order accessories separately



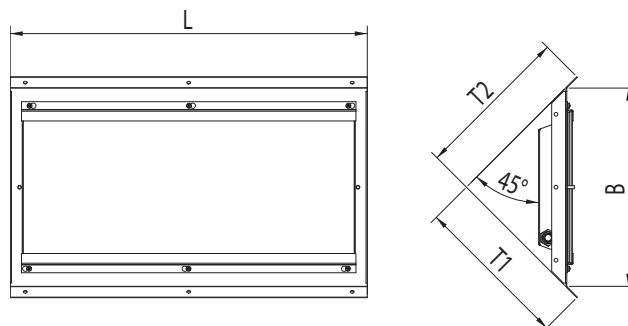
Designation	L	B	T	H	Drawing no.
JFZS...SRW...630	710	395	340	280	42-126-018-00
JFZS...SRW...1240	1320	395	340	280	42-126-036-00
JFZS...SRW...1540	1620	395	340	280	42-126-058-00
JFZ...SRW...630	710	480	400	340	42-116-018-00
JFZ...SRW...1240	1320	480	400	340	42-116-036-00
JFZ...SRW...1540	1620	480	400	340	42-116-058-00

Further technical details on request

ANGLED FITTED LIGHTS, VERTICAL (SRS)

These lights are designed for vertical corner assembly. Angled covers are available as an option.

Order accessories separately

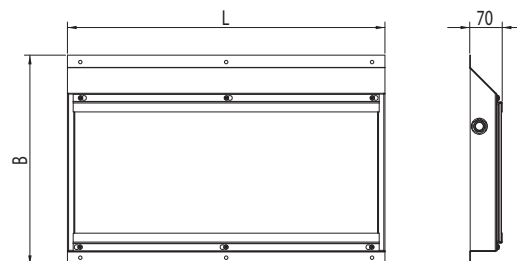


Designation	L	B	T1	T2	Drawing no.
JFZS...SRS...630	710	395	310	310	42-126-018-50
JFZS...SRS...1240	1320	395	310	310	42-126-036-50
JFZS...SRS...1540	1620	395	310	310	42-126-058-50
JFZ...SRS...630	710	480	370	370	42-116-018-50
JFZ...SRS...1240	1320	480	370	370	42-116-036-50
JFZ...SRS...1540	1620	480	370	370	42-116-058-50

Further technical details on request

WALLFITTED LIGHT, HORIZONTAL (WAW)

These lights are designed for horizontal wall mounting. The wall mounting unit welded to the casing with its fixing holes, angled on top with 45°, means that dust deposits are kept to a minimum.

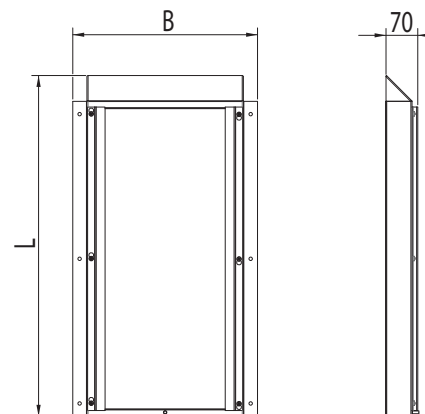


Designation	L	B	Drawing no.
JFZS..-WAW...630	690	455	42-128-018-00
JFZS..-WAW...1240	1300	455	42-128-036-00
JFZS..-WAW...1540	1600	455	42-128-058-00
JFZ..-WAW...630	690	540	42-118-018-00
JFZ..-WAW...1240	1300	540	42-118-036-00
JFZ..-WAW...1540	1600	540	42-118-058-00

Further technical details on request

WALLFITTED LIGHT, VERTICAL (WAS)

These lights are designed for vertical wall mounting. The wall mounting unit welded to the casing with its fixing holes, angled on top with 45°, means that dust deposits are kept to a minimum.

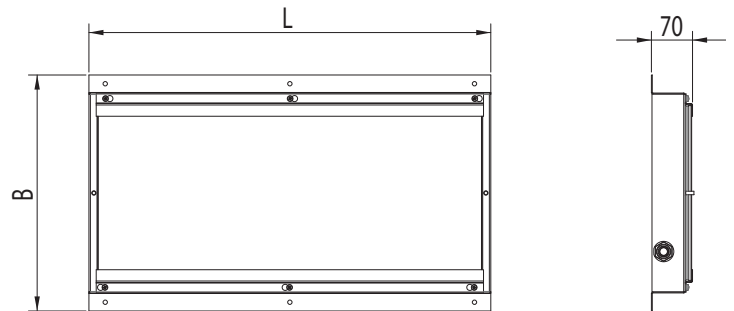


Designation	L	B	Drawing no.
JFZS..-WAS...690	750	405	42-129-018-00
JFZS..-WAS...1300	1360	405	42-129-036-00
JFZS..-WAS...1600	1660	405	42-129-058-00
JFZ..-WAS...690	750	490	42-119-018-00
JFZ..-WAS...1300	1360	490	42-119-036-00
JFZ..-WAS...1600	1660	490	42-119-058-00

Further technical details on request

CEILING FITTED LIGHTS (AB)

The light is designed as a ceiling fitted light. The wall mounting unit welded to the casing edged on all 4 sides to 90° means that the light can be mounted on the ceiling via fixing holes.



Designation	L	B	Drawing no.
JFZS..-AB...690	690	405	42-125-018-00
JFZS..-AB...1300	1300	405	42-125-036-00
JFZS..-AB...1600	1600	405	42-125-058-00
JFZ..-AB...690	690	490	42-115-018-02
JFZ..-AB...1300	1300	490	42-115-036-02
JFZ..-AB...1600	1600	490	42-115-058-02

Further technical details on request

JLZ/JELZ



The JUNG lighting series JLZ and JELZ are sheet steel luminaires of protection category IP64, the versatile securing options of which make them especially well-suited for mounting in blasting and painting cabins. The light outlet is covered with a piece of single-pane safety

glass, which can be taken out by loosening the contoured tracks.

As appropriate to the area of use concerned, the approved terminal points are mounted inside the housing, which is accessible once the light module has been taken out. The terminal points can then be attached to the connecting cable via the cable inlet guide.

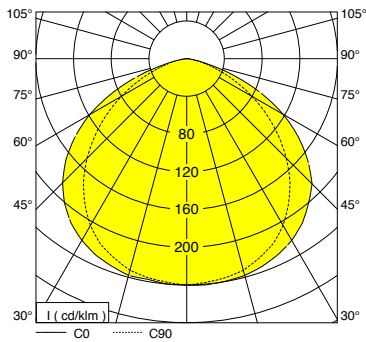
This lighting type, with its sturdy design and large light cross section, is particularly suitable for applications in areas where emphasis is placed upon robustness and insensitivity to thermal stress, and where the requirements of Ex protection up to zone 2 and 22 are needed.

TECHNICAL DATA

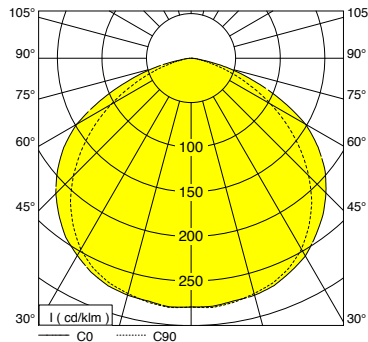
JLZ/JELZLED

- Suitable for
 - ⊕ zone 2 and 22
 - and industrial lighting
- Approval –
Conformity declaration
- Explosion protection
 - ⊕ II3G Ex ec IIC T4 Gc
 - ⊕ II3G Ex tc IIIC T68° C Dc
- CE mark
- LED-Driver
- Ambient temperature
-20° C bis + 50° C
- Rated voltage / frequency
220-240 V / 50-60 Hz
- Protection class I
- Temperature class T4
- Protection category IP 64

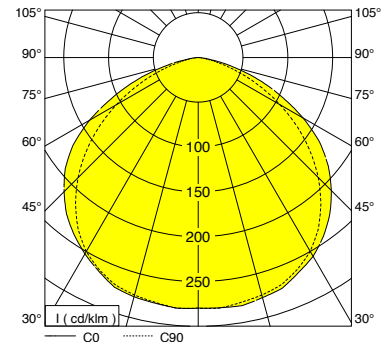
LIGHT DISTRIBUTION CURVE



JLZLED 2 strings



JLZLED 3 strings



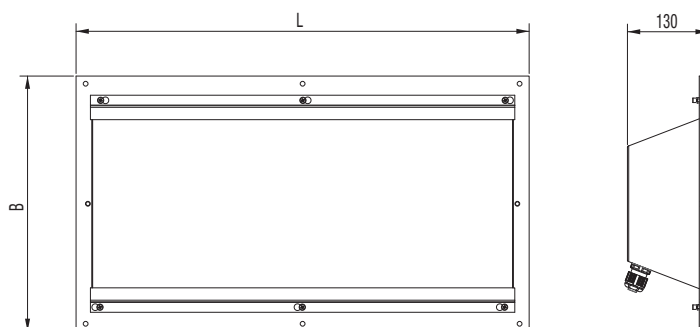
JLZLED 4 strings

Possible string fittings in symmetrical configuration:

- JLZ.. 2 and 3 strings
- JELZ.. 3 and 4 strings

FLUSH-FITTED LIGHTS (WE)

The mounting frame with the fixing holes is welded to the light casing and can be flush-mounted with the fitting apertures in the wall and ceiling elements made by the customer.

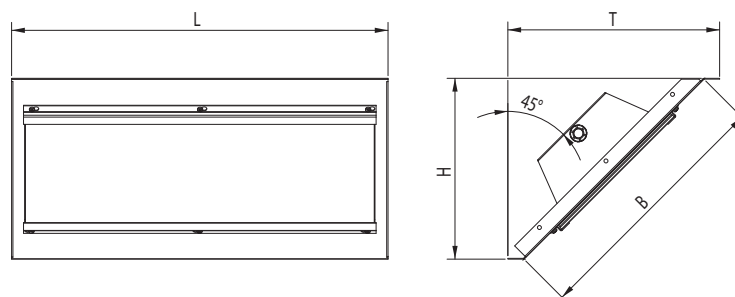


Designation	L	B	Fitted recess	Drawing no.
JLZ..-WE...630	710	400	670 x 350	32-111-018-00
JLZ..-WE...1240	1320	400	1270 x 350	32-111-036-00
JLZ..-WE...1540	1620	400	1570 x 350	32-111-058-00
JELZ..-WE...630	710	470	670 x 410	32-121-018-00
JELZ..-WE...1240	1320	470	1270 x 410	32-121-036-00
JELZ..-WE...1540	1620	470	1570 x 410	32-121-058-00

Further technical details on request

ANGLE FITTED LIGHTS (SRW)

These lights are designed for corner assembly, between ceiling and wall. A support bracket is bolted to the wall to facilitate mounting. Angled covers to compensate the length of the room are available in both fixed and adjustable versions.



Order accessories separately

Designation	L	B	T	H	Drawing no.
JLZ..-SRW...630	710	480	400	340	32-116-018-00
JLZ..-SRW...1240	1320	480	400	340	32-116-036-00
JLZ..-SRW...1540	1620	480	400	340	32-116-058-00
JELZ..-SRW...630	710	480	400	340	32-126-018-00
JELZ..-SRW...1240	1320	480	400	340	32-126-036-00
JELZ..-SRW...1540	1620	480	400	340	32-126-058-00

Further technical details on request